

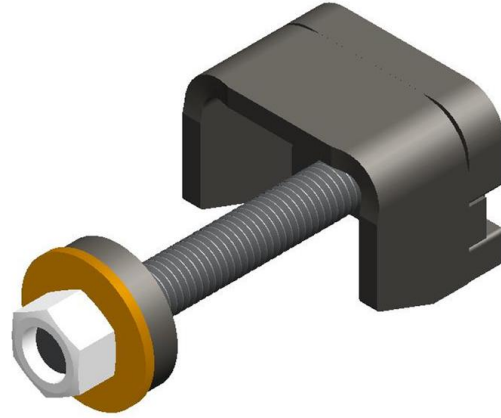
IRON ROCK OFF ROAD

UCA Flex End
Installation Tool
Instructions

1-877-919-JEEP www.ironrockoffroad.com

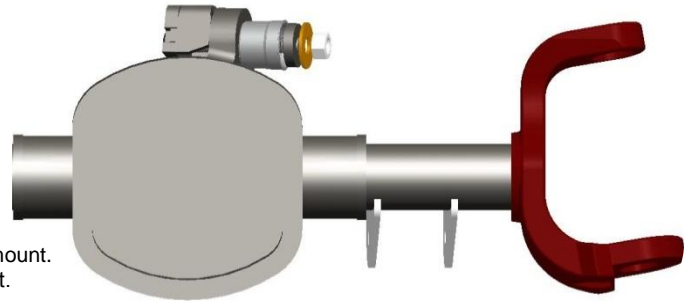
Parts List:

- Instructions
- UCA flex end installation tool 81004 (1)
- #106 – UCA Flex End Installation Tool Hardware (1)**
 - 5/8-11 x 5" carriage bolt (1)
 - 5/8" SAE hardened washer (1)
 - 5/8-11 hex nut (1)
 - Thick washer 81005 (1)



Installation:

1. Assemble the tool as shown using the 5/8" carriage bolt.
2. Position the tool opposite the side of the UCA flex end tube in the cast axle mount.
3. Slide on thick washer and 5/8" SAE washer and snug up with the 5/8" hex nut. (Add a little bit of oil or grease to the threads to reduce wear.)
4. Tighten nut until UCA flex end tube bottoms out in cast axle mount.
5. Using a hammer and punch (3/8" diameter punch works well), bend the thin edge on the flex end tube outward to lock it in place. (Use roughly 3/8" wide bends in two places.)



Removal:

6. Disassemble the flex end.
7. Assemble the tool as shown using the 5/8" carriage bolt.
8. Position the tool on the driver's side of the cast axle mount. (Thick walled side of the flex end tube.)
9. Slide on thick washer and 5/8" SAE washer and snug up the 5/8" hex nut. (Add a little bit of oil or grease to the threads to reduce wear.)
10. Tighten nut until UCA flex end tube pops out of the cast axle mount.

